



TSM-DE06M.08 (II)

120 HALF-CUT
MONOCRYSTALLINE CELLS

330-340W
POWER OUTPUT RANGE

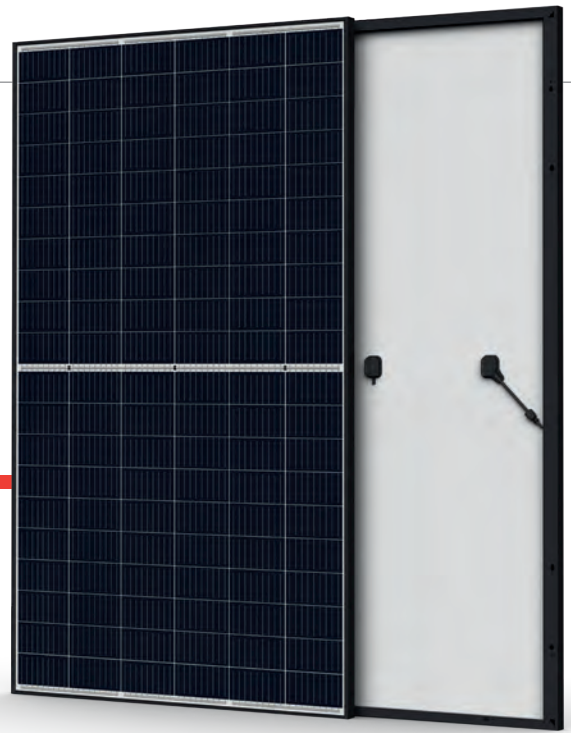
19.9%
MAXIMUM EFFICIENCY

0/+5W
POSITIVE POWER TOLERANCE

Founded in 1997, Trina Solar is the world's leading comprehensive solutions provider for solar energy. We believe close cooperation with our partners is critical to success. Trina Solar now distributes its PV products to over 60 countries all over the world. Trina Solar is able to provide exceptional service to each customer in each market and supplement our innovative, reliable products with the backing of Trina Solar as a strong, bankable partner. We are committed to building strategic, mutually beneficial collaboration with installers, developers, distributors and other partners.

Comprehensive Product And System Certificates

IEC61215/IEC61730/UL1703
IEC61701 Salt Mist Corrosion
IEC62716 Ammonia Corrosion
IEC60068 Blowing Sand
ISO9001; ISO14001; OHSAS18001



High power output

- Multi busbar technology combined with mono PERC cells
- Reduced BOS costs with higher power bins and 1,500V system voltage



Great for residential rooftop application

- Maximize limited space with up to 199 W/m² power density
- Ultra-thin, virtually invisible busbars



Half-cut cell design brings higher efficiency

- Low thermal coefficients for higher energy yield at elevated operating temperatures
- Reduced interconnection losses



Highly reliable due to stringent quality control

- Over 30 in-house tests (UV, TC, HF, and many more)
- In-house testing goes well beyond certification requirements
- PID resistant
- 2x 100% inline EL inspection

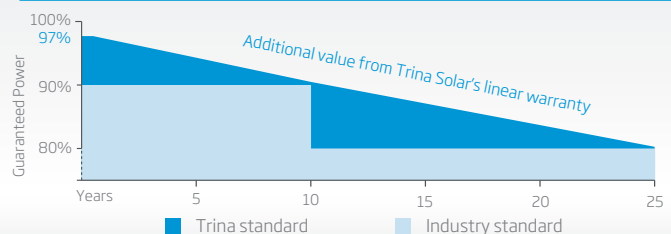


Certified to withstand challenging environmental conditions

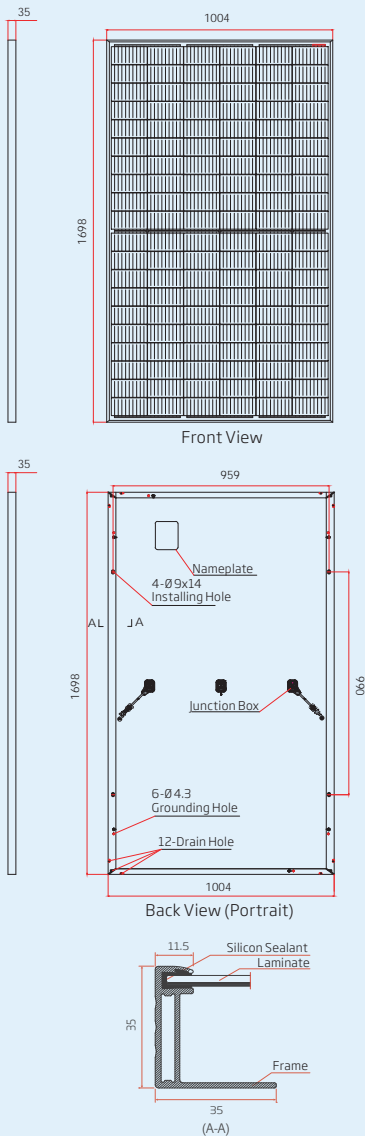
- Salt Mist Corrosion
- Ammonia Corrosion
- Blowing Sand

LINEAR PERFORMANCE WARRANTY

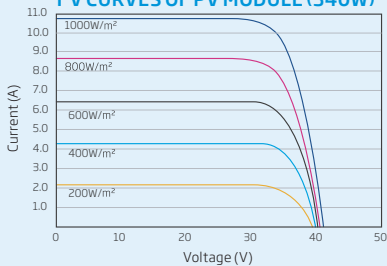
10 Year Product Warranty · 25 Year Linear Power Warranty



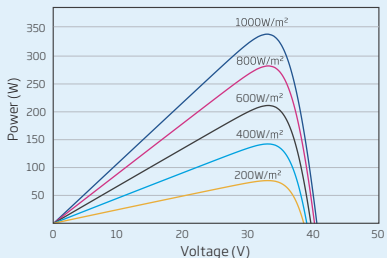
DIMENSIONS OF PV MODULE
TSM-DE06M.08(II) (unit: mm)



I-V CURVES OF PV MODULE (340W)



P-V CURVES OF PV MODULE (340W)



ELECTRICAL DATA @ STC

	TSM-330 DE06M.08(II)	TSM-335 DE06M.08(II)	TSM-340 DE06M.08(II)
Peak Power Watts- P_{MAX} (Wp)*	330	335	340
Power Output Tolerance- P_{MAX} (W)	0/+5	0/+5	0/+5
Maximum Power Voltage- U_{MPP} (V)	33.8	34.0	34.2
Maximum Power Current- I_{MPP} (A)	9.76	9.85	9.94
Open Circuit Voltage- U_{OC} (V)	40.6	40.7	41.1
Short Circuit Current- I_{SC} (A)	10.4	10.5	10.6
Module Efficiency η_m (%)	19.4	19.7	19.9

STC: Irradiance 1000 W/m², Cell Temperature 25°C, Air Mass AM1.5
* Measuring tolerance: ±3%

ELECTRICAL DATA @ NMOT

	TSM-330 DE06M.08(II)	TSM-335 DE06M.08(II)	TSM-340 DE06M.08(II)
Maximum Power- P_{MAX} (Wp)	249	253	257
Maximum Power Voltage- U_{MPP} (V)	31.4	31.5	31.8
Maximum Power Current- I_{MPP} (A)	7.93	8.01	8.08
Open Circuit Voltage- U_{OC} (V)	38.2	38.3	38.7
Short Circuit Current- I_{SC} (A)	8.39	8.47	8.55

NMOT: Irradiance 800 W/m², Ambient Temperature 20°C, Wind Speed 1 m/s.

MECHANICAL DATA

Solar Cells	Monocrystalline
Cell Orientation	120 cells (6 x 20)
Module Dimensions	1698 x 1004 x 35 mm
Weight	18.7 kg
Glass	3.2 mm, High Transmission, AR Coated Heat Strengthened Glass
Encapsulant Material	EVA
Backsheet	White
Frame	35mm Black Anodized Aluminum Alloy
J-Box	IP 68 rated
Cables	Photovoltaic Cable 4.0mm ² , Portrait: N 140mm/P 285mm, Landscape: N 1200 mm /P 1200 mm
Connector	TS4

TEMPERATURE RATINGS

NMOT (Nominal Module Operating Temperature)	41°C (±3K)
Temperature Coefficient of P_{MAX}	-0.37%/K
Temperature Coefficient of U_{OC}	-0.29%/K
Temperature Coefficient of I_{SC}	0.05%/K

MAXIMUM RATINGS

Operational Temperature	-40 to +85°C
Maximum System Voltage	1500VDC (IEC) 1500V DC (UL)
Max Series Fuse Rating	20 A
Snow Load	5400 Pa (3600 Pa*)
Wind Load	2400 Pa (1600 Pa*)

*design load with safety factor 1.5
(DO NOT connect Fuse in Combiner Box with two or more strings in parallel connection)

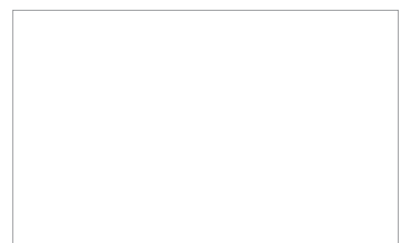
PACKAGING CONFIGURATION

Modules per box:	30 pieces
Modules per 40' container:	720 pieces

WARRANTY

10 year Product Workmanship Warranty
25 year Linear Performance Warranty

(Please refer to product warranty for details)



TSM_EN_2019_A